

ALGE SWIM2000

A NEW TECHNOLOGY MAKES TIMING A PLEASURE!



Features of the ALGE SWIM2000 System:

- ☒ PC - based timing-system
- ☒ easy to operate,
- ☒ **Meet-Manager Software** with **LENEX - data transfer** and integrated network capability
- ☒ possibility to control up to 12 lanes
- ☒ **all lanes are controlled optical and accustical**
- ☒ possibility to connect to each lane and each side 1 touchpad, 3 manual push buttons and 1 relay-start-pad (**5 independent timing - channels per lane and side**)
- ☒ all lists can be published directly as html-files (for Internet-distribution)
- ☒ **integrated backup battery** works for 4 hours (without computer)
- ☒ integrated **speaker-system**
- ☒ communication between starter and timekeeper is possible with headset
- ☒ on screen **false-start warning**
- ☒ warnings for missed touch(es), exceeding time difference between manual button and touchpad, or exceeding lap difference
- ☒ **most reliable and rugged touchpads**

ALGE
TIMING

PC-SOFTWARE

The ALGE-PC-Software for SWIM 2000 consists of several separate program parts. Because of this modular construction it is possible to have the timing on one PC, and do the meet management on another (or more).

Since the timing software and meet management software is made by the same company everything cooperates at 100% . Although the meet management software is included in the SWIM 2000, we have interfaces to most common 3rd party meet management software. The SWIM 2000 software works with all actual Microsoft Windows versions (Windows 95, 98, ME, NT, 2000, XP).

TIMING - PROGRAM

menu bar

race selection

competitor data

block time of start side

lane number

status line

lap time

total time

manual time

touches

block time of start side

The timing software has clear, encouraged symbols. This makes operation very easy!

- ☞ optimized for the evaluation program
- ☞ optical illustration
- ☞ ordered as you see the pool in front of you
- ☞ easy to operate
- ☞ 10 years free software update
- ☞ battery backup
- ☞ clear arranged event protocol
- ☞ possibility to operate with 12 lanes
- ☞ competitor details also for the timekeeper
- ☞ lots of useful control functions

MEET-MANAGEMENT - PROGRAM

menu bar

tool bar

work area (to check start list)

lane settings

status line

The ultimate solution. Timing system and Meet-Management Software is optimized to each other.

- ☞ start fee administration
- ☞ LENEX-data transfer
- ☞ registration overview
- ☞ registration lists
- ☞ relay registration
- ☞ overviews
- ☞ time schedule
- ☞ start lists
- ☞ statistics
- ☞ result lists
- ☞ fine calculations
- ☞ point lists
- ☞ LEN-point calculation
- ☞ possibility to publish all lists directly in the internet

LAYOUT-DESIGNER

menu bar

tool bar

text description graphic

font and size

text sample

Software that allows to design your personal layout for the result lists

- ☞ free shape of all lists
- ☞ use of all windows fonts
- ☞ insert of bitmaps

ALGE SWIM 2000 Components



SWIM CONTROLLER SWC

The high-tech device SWC is collecting and storing all data Flash-Rom, galvanic separated interfaces, acoustic part and synchronous input-output.



TOUCHPAD TP18/24

The touchpad is one of the key components of a timing system. The quality of this component is relevant for the success of the complete system. The closed construction of the touchpad (backside of stainless steel 1.4571) is relevant for reliability. The touchpads are in different dimensions available:
 TP 24: active area 2444 x 906 x 10 mm
 TP 18: active area 1855 x 906 x 10 mm
 For other sizes please contact your ALGE dealer

SWIM TERMINAL SWT

The Terminals are connected with only one cable from terminal to terminal. At the last terminal you have to connect a SWT-END. All terminals are identical. No numbering!!
 Each SWT includes jacks for 1 touchpad, up to 3 separate push-button 023-02 and one Start Block SO 2 or SWR 2.



PUSH-BUTTON 023-02

waterproof rugged construction, cable length 2 m



START UNIT SU

with integrated microphone and start push button



SWR 2 RELAY START PAD

The best solution for existing starting blocks. Different size and design on request.

SPA and SPP

Built-in gel-cell-battery and amplifier. Each SPA can drive one SPP.



START BLOCK SO 2

modern design made of stainless steel (1.4571). Different size and design on request.



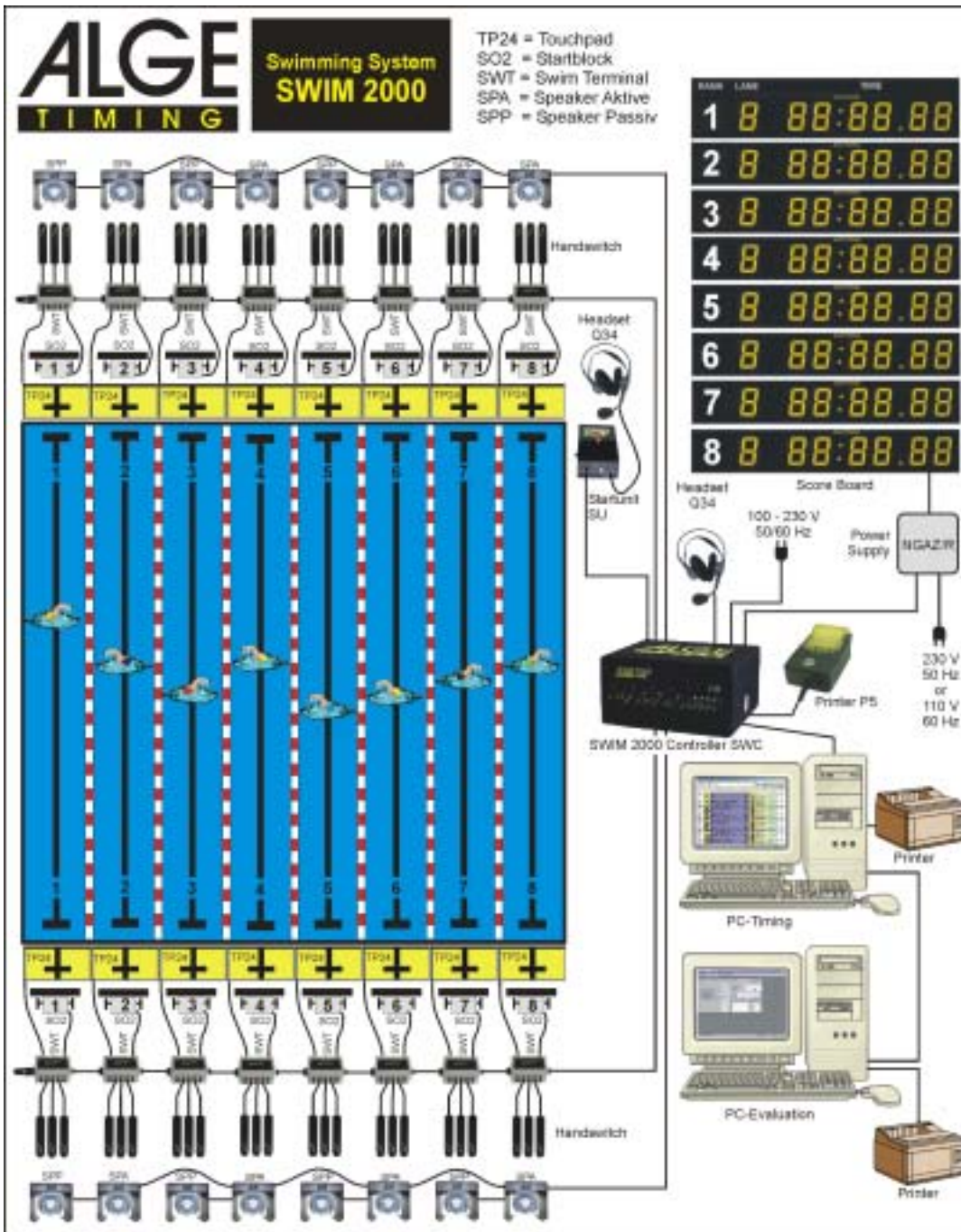
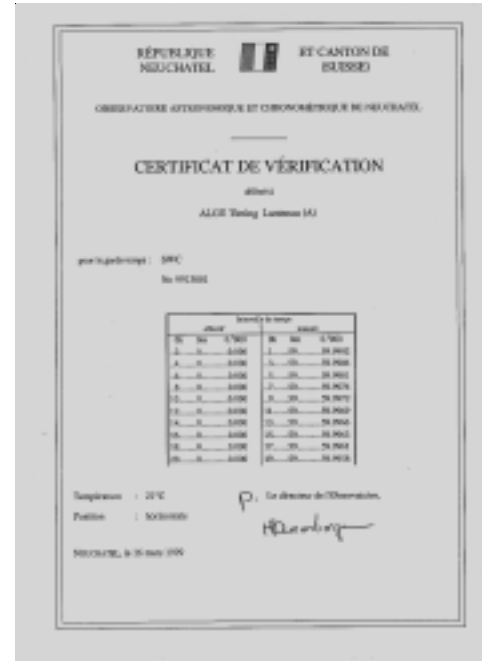
Display Board GAZ4

In the focus of the event. Available in different sizes with 15, 25, and 45 cm (5.9, 9.8, and 17,7 inch) figure-height. Other display boards on request

Technical data

SWIM Controller SWC:

- Measuring Range:** 23 hours, 59 minutes, 59,9999 seconds
- Time Reference:** TCXO 10.000MHz (temperature compensated quartz oscillator)
- Frequency Deviation:** temperature range -25 to 50°C (-13 to 122°F): +/- 2,5ppm (+/- 0,009 sec./h.)
with aging: +/- 1 ppm per year
at 25°C (77°F) adjusted to +/- 0.1 ppm
- Power Supply:** internal: 12V gel cell battery
external: 100-240 V 50/60Hz or 12-18 V DC
- Interfaces:**
 - 4 complete RS232 interfaces (no Parity, 8 data, 1 stop)
 - 1 x PC (9600 kBaud)
 - 1 x display board (2400 kBaud) galvanic separated
 - 1 x protocol printer (2400 kBaud)
 - 1 x video interface (9600 kBaud) galvanic separated
 - 3 RS485 interfaces
 - 2 x timing bus start side and turn side
 - 1 x display board
- Connections:**
 - SWT line start
 - printer 1
 - PC
 - display board
 - start (banana plugs)
 - 2 x Speaker active
 - audio line In
 - SWT line turn
 - printer 2
 - TV-Online
 - SU SWIM Start Unit
 - display board (banana plugs)
 - headset
 - audio Line out
- Regulators:**
 - microphone
 - audio in
 - headset
 - total volume



ALGE-TIMING GmbH & Co
 Rotkreuzstrasse 39
 A-6890 Lustenau
 Telephone: +43 5577-85969
 Fax: +43 5577-85969
 e-Mail: office@alge-timing.com
 Internet: www.alge-timing.com